

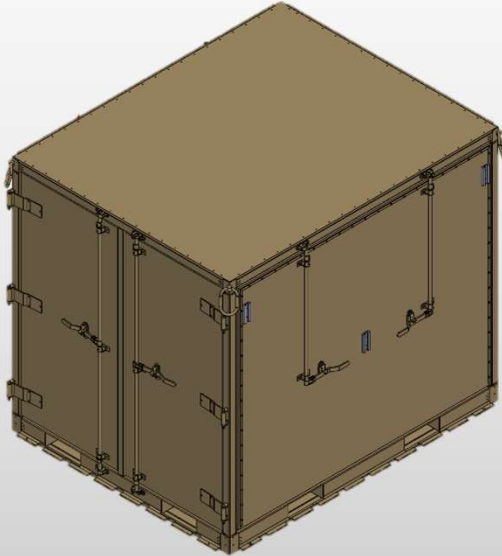


Highland Engineering, Inc.

1153 Grand Oaks Drive ■ Howell, MI 48843
(517) 548-4372 ■ (517) 548-4423 (Fax)

EEAC 90 OPEN EXP

(two doors on one side, two fold down doors, has no center wall)



20926-012

Characteristics

- Overall dimensions - 88"wd x 108"lg x 91.5"ht
- Interior (exp) - 1250 cubic ft
- Shipping Cube - 503 cubic ft
- Tare weight – 1,750 lbs
- Capacity - 10,000 lbs
*5,000 lbs restrained
- Gross – 11,750 lbs

- P/N 20926-011 (green) or P/N 20926-012 (tan)
- Open on the interior of the container, no center wall included
- Two doors (two doors on one short side)
- Two fold down floors, Additional doors in canvas)
- Forkliftable from all sides
- Integral 463L compatible base rails with winching rings
- Anti-racking door locks on doors and folding floor
- Multi purpose lifting/tiedown provisions at upper corners
- Flat bottom provided for roller conveyor mobility
- Roof access steps
- Other variants available with custom canvas configurations (changing canvas door and ECU port locations)

OPTIONAL ACCESSORIES AVAILABLE:

Haz-Mat door(s).....2500-001
 Caster Assembly.....2300-001
 Custom configurations available

Dehumidifiers:
 Factory Installed2400-001
 Field Installed.....2400-002

CERTIFICATIONS

NOTE: Certification granted for Internal airlift.
External airlift certifiable.

www.high-eng.com

